
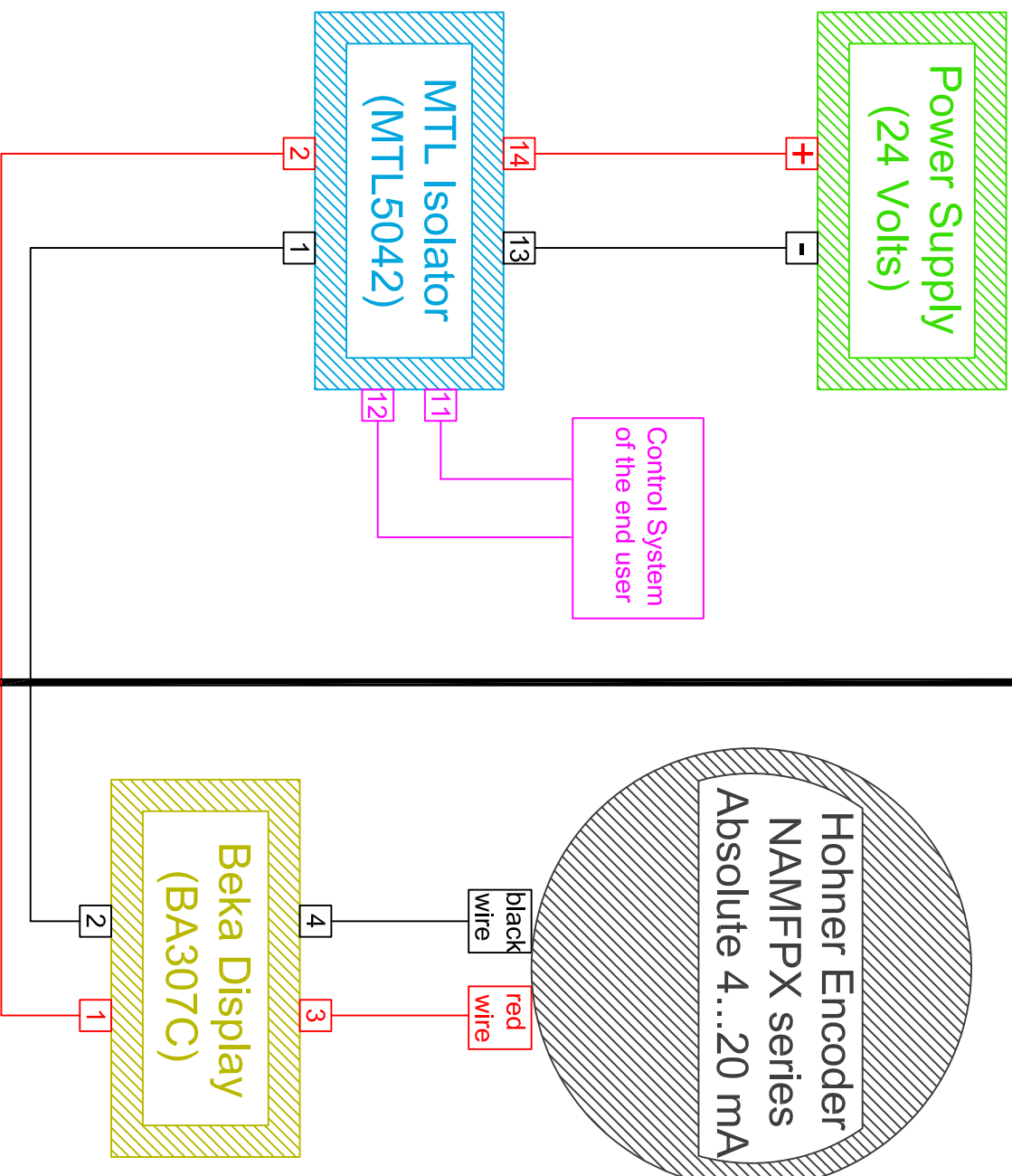


# SAFE HAZARDOUS

Third Angle Projection 

ALL DIMENSIONS ARE IN (mm) UNLESS OTHERWISE STATED.  
TOLERANCES ARE +/- 0.1 (mm) UNLESS OTHERWISE STATED.  
ALL CHAMFERS TO BE 0.25(mm) UNLESS OTHERWISE STATED.



Display angular position, 0 to 360  
Display RPM, 0 to Max RPM

**Not necessary if display is not needed. Just attach the red wire of encoder to terminal 2 of barrier and the black wire to terminal 1 of barrier**

Hohner Automation Ltd. own the copyright in this drawing which must not be reproduced or utilised other than for the purpose intended by them without prior approval		MATERIAL	SCALE	CHECKED BY	AUTHORISED / DRAWN BY	DATE	SHEET 1 OF 1
		-----	1 unit = 1 mm	Mike Jeffery	Patrick Blochle	16 November, 2005	
		<b>TITLE: 4-20 mA (Hohner - MTL - BEKA)</b>			<b>DWG #: MTL5042</b>		